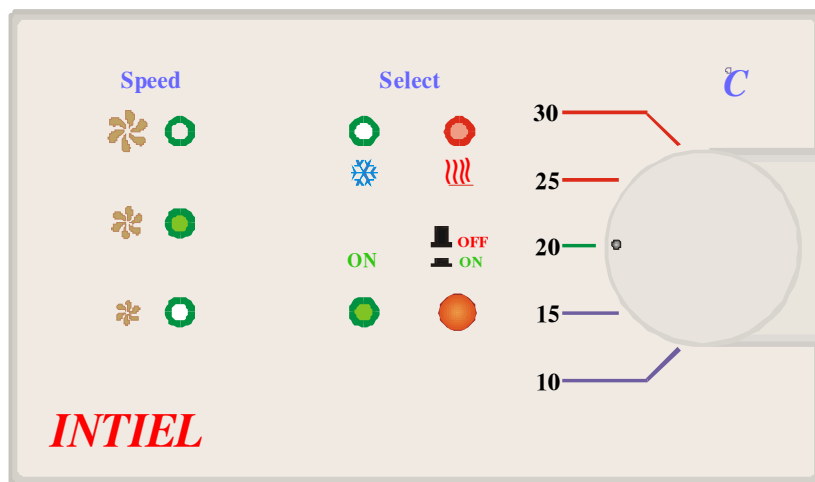


INTIEL

THE ELECTRONICS ON YOUR SIDE

Fan-coil Thermo Regulator

User's Manual



1. Application

The Fan-coils Thermo regulator is designed to control the operation of three speed fan-coils in relation to a fluid temperature (circulating in the fan-coil system) and its assigned level that is to be kept in the room.

2. Technical data

- | | |
|---|---------------------------|
| 1. Power supply: | 220V / 50Hz/AC |
| 2. Maximal current through the outputs: | 10A/250V/AC |
| 3. Range of the ambient temperature: | (-10 °C) – (+40 °C) |
| 4. Range of temperature regulation: | (+10 °C) – (+30 °C) |
| 5. Ambient relative humidity: | up to 80% |
| 6. Operation regimes: | two (heating and cooling) |
| 7. Precision class: | +/-5% |

3. Operation

The Regulator controls the temperature in the room where it is installed and in case there is a difference with the assigned temperature level and the operation regime, it automatically selects the optimum ventilator revolutions. If the assigned and the room temperatures are equalized it stops the ventilator. Also, the ventilator can be stopped by the button ON/OFF. The range between the minimal and the maximal ventilator speed is 3 °C (**ili 3x**). The ventilator speed is shown by light indications. The operation regime is automatically selected by means of an outer sensor installed on the fan-coil inlet, measuring its temperature. If the fan-coil inlet temperature exceeds +25 °C, the selected operation regime is heating and if that temperature is lower than +20 °C, it will be selected a cooling regime. The operation regime is shown by light indications.

4. Installation

During the installation the following instructions are to be considered:

- Take out the Thermo Regulator knob from the cover box
- Take off the cover box and the regulator base will remain only.
- Do the wiring according to the scheme shown on Figure 1.
- Take into account the correct polarity connection of the temperature sensor that is to be installed on the fan-coil inlet. Both connection cables are to be with a vertical section in the range of 0.25m² – 0.35mm² and in a different color, facilitating the correct installation. The cables length will not affect to the precision of the measurement.
- The base of the Regulator is to be mounted to the wall by screws.
- The recommended installation height is 1.10 m.
- The vertical section of the Regulator connection cables should not exceed 0.75 mm².
- The Regulator knob is to be placed in a way corresponding to the temperature scale.
- After connection to the power supply the Regulator operation regimes are to be checked up.

5. Wiring

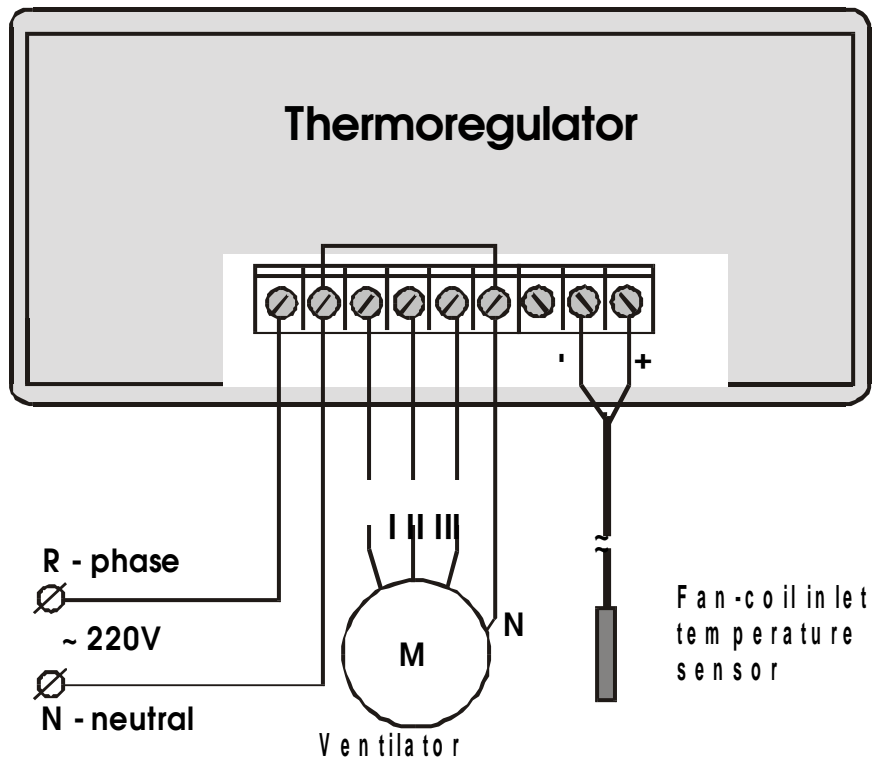


Figure 1

6. Warranty

The warranty period is 24 months following the purchase date of the unit or its installation by an authorized Engineering Company, but not exceeding 28 months after the production date. The warranty is extended to the malfunctions that occur during the warranty period and are result of the production reasons or defective used parts.

The warranty does not relate to malfunctions corresponding to not-qualified installation, activities directed to the product body interference, not regular storage or transport.

The repairs during the warranty period can be done after correct filling of the manufacturer warranty card

Warranty Card

Manufacturer: INTIEL	
Product type	
Production number	
Production date	
Dealer confirmation	
Purchase date	
Invoice number	
Dealer's name, address and stamp	
Seller's name and signature	
Installation Date	
Date	
Company (address, stamp)	
Installer's name and signature	