

**INTIEL**

**9 Peter Beron Str  
Pomorie 8200, Bulgaria  
[www.intiel.com](http://www.intiel.com)**

**tel.: +359 596.333.66  
fax: +359 596.325.80  
[info@intiel.com](mailto:info@intiel.com)**

## **Electronic Thermo Regulator TR – 6.1**

### **I. Application**

The Electronic Temperature Regulator TR-6.1 is designed to keep the assigned temperature level in the range of (0°C) – (+300°C) in heating chambers, etc.

### **II. Technical data**

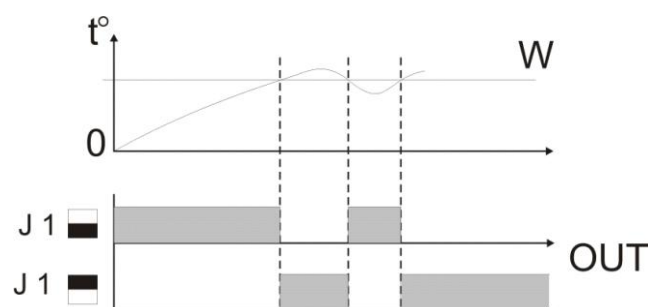
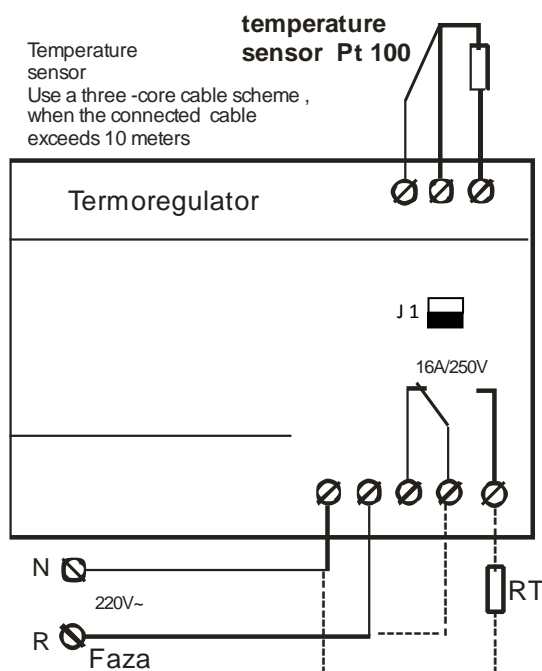
- |   |                    |
|---|--------------------|
| 1. Power supply:                        | 220V/50Hz/AC       |
| 2. Maximal current through the contact: | 16A/250V/AC        |
| 3. Number of contacts:                  | one switching      |
| 4. Capacity of the consumer:            | 3600W              |
| 5. Range of regulation:                 | (0°C) – (+300°C)   |
| 6. Range of measuring:                  | (-50°C) – (+100°C) |
| 7. Precision class:                     | +/-1 °C            |

### **III. Operation**

The Regulator controls the temperature in relation to the difference between the assigned and the real levels. In case such a difference occurs, the Regulator outlet voltage will be changed. TR – 6.1 is a relay Regulator with one input (sensor Pt 100) and one relay output. The current temperature level and the assigned one can be indicated on a three sectional digital display. The adjustment of the assigned temperature level can be done after pressing the front touch button in position “W” and turning the Regulator knob on the front panel. When the front button is in position “X”, the current temperature level of the volume is Indicated

### **IV. Wiring**

The Electronic Temperature Regulator TR 6.1 is encased in a plastic box. Its connection to the circuit is to be done in accordance with the shown scheme bellow.



## V. Warranty

The warranty period is 24 months following the purchase date of the unit or its installation by an authorized Engineering Company, but not exceeding 28 months after the production date. The warranty is extended to the malfunctions that occur during the warranty period and are result of the production reasons or defective used parts.

The warranty does not relate to malfunctions corresponding to not-qualified installation, activities directed to the product body interference, not regular storage or transport.

The repairs during the warranty period can be done after correct filling of the manufacturer warranty card

## Warranty Card

<b>Manufacturer: <i>INTIEL</i></b>	
Product type:	<b>TR 6.1</b> (0°C) – (+300°C)
Production date:	2-Nov-12r
Dealer confirmation:	
Purchase date:	