

INTIEL

THE ELECTRONICS ON YOUR SIDE

Weekly programmable thermostat

User's Manual

I. Application

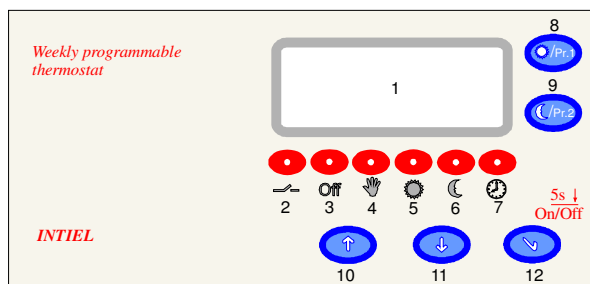
The Thermostat automatically changes the room temperature assignment according preliminary adjusted program to comfort or economy temperature in relation of house occupation, thus saving energy during the night or not presence.

II. Operation

The Thermostat has two programs P1 and P2, as concerning each one of them it is to be specified at which day of the week it is to be fulfilled. In relation to the adjusted program the comfort or economy room temperature will be switched in relation of the adjusted program at the beginning of each hour.

Each program can be interrupted by means of pressing the button for the opposite state, for example the comfort temperature assignment can be switched to economy one by pressing the economy temperature button. The interruption complies until the program matches with the current state.

III. Front panel



- 1 – indication;
- 2 – indication for switched on consumer;
- 3 – indication for switched off consumer;
- 4 – indication for program interruption;
- 5 – indication for comfort temperature;
- 6 – indication for economy temperature;
- 7 – indication showing time and day of the week;
- 8 – button for choosing a comfort temperature or program Pr1 about the week of the day in a program mode;
- 9 – button for choosing an economy temperature or program Pr2 about the week of the day in a program mode;
- 10 – button for a review or “forward” change;
- 11 – button for a review or “backward” change;
- 12 – enter/escape button in program mode or device on/off by means of pressing for 5seconds;

IV. Programming

1. Comfort and economy temperature assignment.

The indication is to be reviewed by means of buttons „↑,, and „↓,, , until the room temperature is being indicated. Then button „✓” is to be pressed, as symbol “t” starts blinking. Button “*/Pr1” is to be pressed in order to select comfort room temperature as indication „*” appears, respectively button „C/Pr2” is to be pressed in order to select economy room temperature, as indication „C” appears. Again by means of „↑,, and „↓,, buttons the temperature can be modified within 5.0 – 30.0 °C. The changes can be confirmed by pressing button „✓” or they will not be saved if no one button is being pressed in 15sec.

2. Setting of the timer and the day of the week.

The indication is to be reviewed by means of buttons „↑,, and „↓,, until indication „⊙” appears and the assignation for the day and hour begins changing, button „✓” is to be pressed. First two numbers of the indication starts blinking as by means of buttons „↑,, and „↓,, the current hour can be selected (0-23), and then after pressing „✓” button the second two numbers about the minutes starts blinking . Again by means of pressing buttons „↑,, and „↓,, the current minutes are to be selected within 0-59, and afterwards button „✓” is to be pressed. The current day can be selected by means of buttons „↑,, and „↓,, as it has to be chosen from Day1 up to Day7 (Monday to Sunday). Changes can be saved by pressing button „✓”, or they will not be saved if no one button is being pressed in 15sec.

3. Programs setting

The indication is to be reviewed by means of buttons „↑,, and „↓,, until symbol „**Prog**” appears on the indication, and then button „✓” is to be pressed. The assignation starts changing between **P1 – h** and **00.00**, corresponding to “Program1” and hour 00. The program can be reviewed by means of buttons „↑,, and „↓,, as the hours can be changed from 0-23, as in the same time is to be observed the symbols which appears about the comfort or economic temperature.

A program can be created starting from 00 hour and pressing comfort “***Pr1**” or economic „**C/Pr2**” buttons, in order to adjust the desired temperature within each hour. Pressing each of those two buttons leads to increasing of the hour indication with one, as button „↑,, and „↓,, are to be pressed in case of need for backward moving to a previous hour, as the programming can be continued in the same way, like above described.

After the completion of Program 1 a button „✓” is to be pressed in order to move to Program 2. The above mentioned adjustments concerning Program 1 are to be repeated about Program2, either.

Pressing of „✓” button concerns to binding of program validity to the days of the week. The indication starts changing between dAY1 and program Pr.1 and Pr.2, which is being fulfilled for that day. The days of the week can be reviewed by means of pressing buttons „↑,, and „↓,, from dAY1 to dAY7 (Monday to Sunday), as it can be seen which one of the programs is to be fulfilled **Pr.1** or **Pr.2**. Button “***Pr1**” is to be pressed in case of need for Program 1 changing, as the same concerning Program 2 can be done by pressing button „**C/Pr2**”. Each pressing of buttons “***Pr1**” or „**C/Pr2**” leads to increasing of day of the week indication with one, as if need to move backward to previous day buttons „↑,, and „↓,, are to be used, as the program choosing is to be continued by the above described way.

After setting of Program 2 is completed a button „✓” is to be pressed which leads to an option for starting or stopping of program fulfillment. On the display is being shown an indication “**run**” for starting and “**Stop**” for stopping, as by means of buttons „↑,, and „↓,, those two options can be switched. Changes can be saved by pressing button „✓”, or they will not be saved if no one button is being pressed in 15sec.

Example:

The desired assignation for Program 1 is:

- 00-06 economic temperature
- 07-08 comfort temperature
- 09-16 economic temperature
- 17-21 comfort temperature
- 22-00 economic temperature

The desired assignation for Program 2 is:

- 00-08 economic temperature
- 09-21 comfort temperature
- 22-00 economic temperature

Program 1 is to be fulfilled within Monday to Friday, as Program2 on Saturday and Sunday.

The assignation starts with Program 1, hour 00, as the button for economic temperature „**ⒸPr2**” is to be pressed 7 times until on the indication appears hour 07, afterwards the button for comfort temperature “***Pr1**” is to be pressed 2 times until on the indication appears hour 09. Button for economic temperature „**ⒸPr2**” is to be pressed 8 times until on the indication appears hour 17, then the button for a comfort temperature is to be pressed 5 times until on the indication appears hour 22, then the button for the economic temperature „**ⒸPr2**” is to be pressed two times until on the indication appears hour 00. Pressing button „✓” leads to switching to Program 2.

Program 2 starts again with hour 00, as the button for economic temperature „**ⒸPr2**” is to be pressed 9 times until on the indication appears hour 09, afterwards the button for comfort temperature “***Pr1**” is to be pressed 13 times until on the indication appears hour 22, then the button for economic temperature „**ⒸPr2**” is to be pressed 2 times until on the indication appears hour 00.

After completion of Program 2 setting, button „✓” is to be pressed in order to switch to days of the week, in which the programs are to be fulfilled. The day settings starts from dAY1 (Monday), as button “***Pr1**” is to be pressed consecutively until on the display appears dAY6 (Saturday), afterwards button „**ⒸPr2**” is to be pressed two times consecutively until on the indication appears dAY1 (Monday)

Thus within Monday to Friday the assigned program is Program 1, as during Saturday and Sunday the assigned Program is 2. Button „✓” is to be pressed and by means of buttons „↑”, and „↓”, “run” is to be selected.

Changes can be saved by pressing button „✓”, or they will not be saved if no one button is being pressed in 15sec.

4. Thermostat operation mode (heating or cooling)

By means of buttons „↑”, and „↓”, the indication is being reviewed until symbol “reg” appears, as button „✓” is to be pressed. Thermostat operation mode is to be selected between “heat” or “cool” by means of buttons „↑”, and „↓”,. Changes can be saved by pressing button „✓”, or they will not be saved if no one button is being pressed in 15sec.

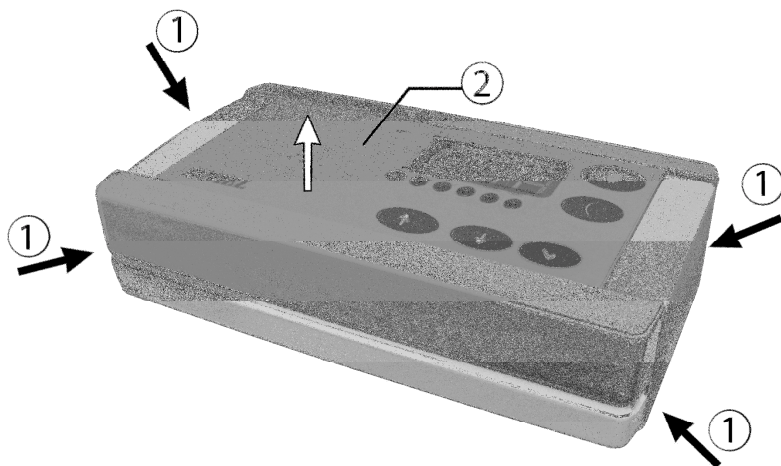
5. Setting of the hysteresis

By means of buttons „↑”, and „↓”, the indication is being reviewed until symbol “H” and the value after it appears, as button „✓” is to be pressed. The values which can be selected by means of buttons „↑”, and „↓”, are within 0,5 - 3,0°C, by a step of 0,5°C. Changes can be saved by pressing button „✓”, or they will not be saved if no one button is being pressed in 15sec.

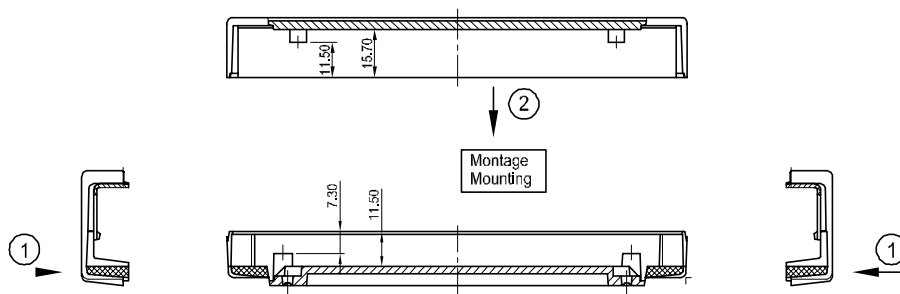
5. Electrical wiring and technical data

1. Device box opening and closing

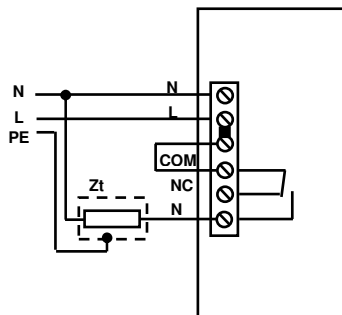
A) opening: to release the device cover from its base it is to be pushed and turned at the same time at the place of the four holes(1) by means of a flat small screwdriver. Thus released cover is to be picked up while it will be removed.



B) closing: two side parts are to be slid first to the base and afterwards the cover is to be pressed on the four angles until it will be fixed.



2. Electrical wiring and technical data



Supply voltage	~230V/50Hz
Nominal current:	7A/~250V
Switches:	one switching
Hysteresis:	0.5° – 3.0°C
Sensor:	LM335
Range of measurement:	0° up to +50°C
Range of regulation:	0° up to 30°C
Indication:	digital, 4 sectional
Measurement unit:	0.1°C
Humidity:	0 - 80%
Protection:	IP 20

VI. Warranty

The warranty period is 24 months following the purchase date of the unit or its installation by an authorized Engineering Company, but not exceeding 28 months after the production date. The warranty is extended to the malfunctions that occur during the warranty period and are result of the production reasons or defective used parts.

The warranty does not relate to malfunctions corresponding to not-qualified installation, activities directed to the product body interference, not regular storage or transport.

The repairs during the warranty period can be done after correct filling of the manufacturer warranty card

Warranty Card

Manufacturer: INTIEL	
Product type	Programmable weekly thermostat
Production number	
Production date	
Dealer confirmation	
Purchase date	
Invoice number	
Dealer's name, address and stamp	
Seller's name and signature	

1.