

INTIEL

THE ELECTRONICS ON YOUR SIDE

Electronic Phase Relay

User's Manual



1. Application

The Electronic Phase Relay is designed to prevent the three phase consumers of a wrong phase order of their power supply.

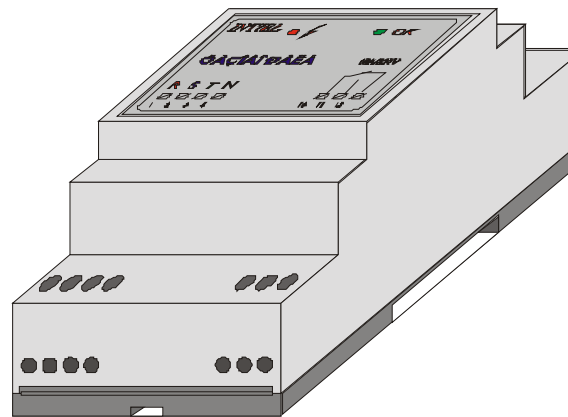
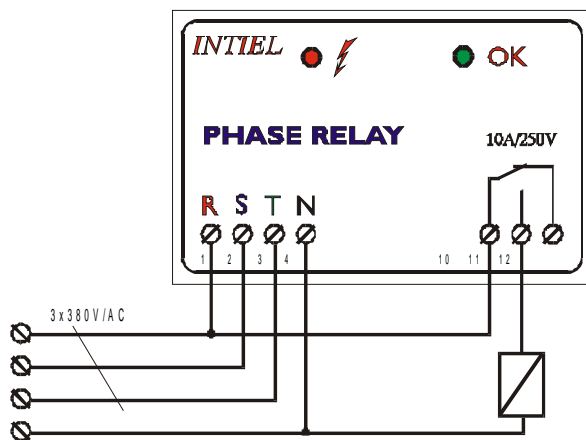
During the electrical consumer connecting to the power supply, the Electronic Phase Relay goes into emergency mode for 70 sec. and a red indication appears on the front panel. In case the phase order is correct after that time, the relay permits the connection of the consumer and the red light indication is replaced with a green one.

The Electronic Relay turns off the electrical circuit if a wrong phase order or phase drop occurs during consumer operation. It restores automatically the power supply if the right phase order returns again after the delay of 70 sec. Generally the functions of the Electronic Phase Relay protect the electrical consumer against overloading or an inversion the revolving direction of the three phase motors.

2. Technical data

- | | |
|--|-----------------|
| 1. Power supply: | 3x380V/AC |
| 2. Nominal current through the contacts: | 10A/250V/AC |
| 3. Range of the ambient temperature: | (-15°C)-(+50°C) |
| 4. Restoring time after returning the right phase order: | 70 sec. |
| 5. Numbers of contacts: | one switching |
| 6. Ambient relative humidity: | up to 80% |
| 7. Resistance against strokes and vibrations: | up to 5g |
| 8. Protection class: | IP 40 |

3. Wiring diagram



4. Warranty period

The warranty period is 24 months following the purchase date of the unit or its installation by an authorized Engineering Company, but not exceeding 28 months after the production date. The warranty is extended to the malfunctions that occur during the warranty period and are result of the production reasons or defective used parts.

The warranty does not relate to malfunctions corresponding to not-qualified installation, activities directed to the product body interference, not regular storage or transport.

The repairs during the warranty period can be done after correct filling of the manufacturer warranty card

Warranty Card

| | |
|---|--|
| Manufacturer: INTIEL | |
| Product type | |
| Production number | |
| Production date | |
| Dealer confirmation | |
| Purchase date | |
| Invoice number | |
| Dealer's name, address and stamp | |
| Seller's name and signature | |
| Installation Date | |
| Date | |
| Company (address, stamp) | |
| Installer's name and signature | |