

# INTIEL INTIEL

**TDM Relay  
for control of temperature and sealing in pumps**

**User's Manual**



tel.:00359 596 333 66 ||| fax:00359 596 325 80 ||| info@intiel.com ||| www.intiel.com  
9 Peter Beron Str, Pomorie 8200, Bulgaria



### Package Contents:

- TDM Relay
- 11 pole relay socket
- User's manual and warranty card

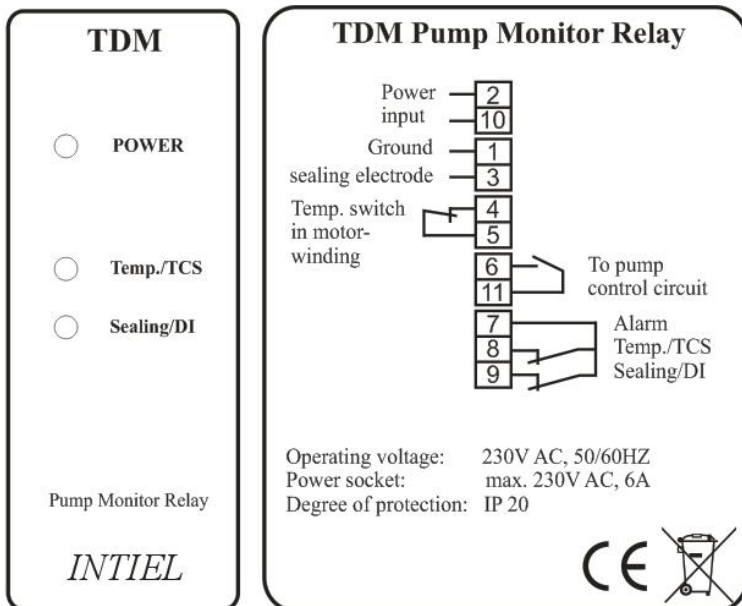
### 1. Working principle:

- At power up the relays are activated and the LED "POWER" is light up, alarm contacts are opened and contact for pump control is closed.

- When the thermostat in the pump opens due to high temperature in the motor winding the LED "Temp./TCS" is light up, the alarm contact is closed and the control circuit contact is opened. When the temperature drops, the systems automatically resets.

- When the resistance between the sealing electrode in the pump and earth decreases to approx. 27k $\Omega$  (due to water ingress) the LED "Sealing/DI" is light up and the alarm contact is closed. The alarm automatically resets when the resistance again increased.

### 2. Front panel indications and wiring:



### **3. Technical data:**

Power supply	~230V/50-60Hz
Power consumption	2.2VA
Maximum load on relay	250V 6A resistive, 2A inductive
Voltage to sealing electrode	24V
Connection	11 pole relay socket
Working temperature	0° - 40°C
Humidity	0 - 80%
Degree of protection	IP 20

### **4. Warranty:**

The warranty period is 24 months following the purchase date of the unit or its installation by an authorized Engineering Company, but not exceeding 28 months after the production date. The warranty is extended to the malfunctions that occur during the warranty period and are result of the production reasons or defective used parts.

The warranty does not relate to malfunctions corresponding to not-qualified installation, activities directed to the product body interference, not regular storage or transport.

*The repairs during the warranty period can be done after correct filling of the manufacturer warranty card*