

INTIEL

THE ELECTRONICS ON YOUR SIDE

Programmable Differential Thermostat DT-3.1

User's Manual

I. Application

Programmable Differential Thermostat DT-3.1 is used for domestic hot water preparation in water heaters, where the heating energy is provided in combined way, by solar panels (fireplace) and electrical heating elements. It is designed to control the circulation pump operation, installed in the water circuit between the solar panels (fireplace) and the water heater serpentine, this regulating the heat exchanging between them.

II. Operation

The thermostat has two temperature sensors mounted respectively in the boiler and solar panels. During an operation the thermostat monitors the following parameters:

- 2.1. ΔT , Δt – adjusted and current (real) difference between the water heater and solar panel temperatures. ΔT can be adjusted in the range of 2 up to 20°C. **The default setting is 10°C**
- 2.2. W_b – adjusted temperature level of the water heater to which it can be heated from the solar panels. The temperature can be adjusted in the range between 30 and 90°C. **The default setting is 60°C.**
- 2.3. $T_{b_{max}}$ – maximum allowed water heater temperature. It can be adjusted in the range between 80 and 100 °C. **The default setting is 95°C.**
- 2.4. $T_{p_{min}}$ – minimum temperature level of the solar panel. It can be adjusted in the range between 20 and 50 °C. **The default setting is 40°C.**
- 2.5. $T_{p_{max}}$ – maximum allowed temperature of the solar panel. It can be adjusted in the range between 80 and 110°C. **The default setting is 105°C.**
- 2.6. $T_{p_{defrost}}$ – defrost temperature level of the solar panel. It can be fixed in the range between -20 up to 10°C. **The default setting is “- -“, without defrosting.**
- 2.7. $T_{b_{min}}$ – minimum water temperature level in the water heater. It cannot be adjusted. **The default setting is 20°C**

Differential Thermostat DT-3.1 operation depends on the temperature sensor states, as follows:

A) Normal operation

- In case of a positive temperature difference Δt between the solar panel (stove) and the water tank, greater than the set ΔT of 3 °C, the pump starts operation, thus heating the tank from the panel.

A timer is being switched on when Δt gets equal to ΔT , as from this moment the controller counts 10 minutes of circulation pump operation. That time can vary within above range of 10 minutes as decreasing the difference between Δt and ΔT to 0 relates to less operation time of the pump, which the device count automatically. The pump operation stops if the previous mentioned difference becomes 0 or less than 0.

- Heating the water tank under the above conditions can be made only until the temperature in the water tank gets equal to the set one W_b , then the pump switches off, stopping the heating.

- If the above conditions are fulfilled, and the solar panel (stove) temperature falls below $T_{p_{min}}$, the pump stops, even the following conditions $\Delta t > \Delta T + 3^\circ$ and $T_b < W_b$ are fulfilled.

- If the temperature of the panel falls below $T_{p_{defrost}}$ the pump is being switched ON, although it has been switched off because solar panel temperature is below $T_{p_{min}}$.

B) VACATION Mode - The current mode is useful in case of not using the water tank for a long time. In case of the mode activation the adjusted temperature is being automatically set to 40 °C, as the heating elements switching on is not allowed. The pump is being switched on when it is necessary in order to prevent the overheating of the tank or the solar panel. The mode can be activated by means of pressing “PROGRAM” button for 3 seconds, as after its releasing on the display appears ON/OFF indication. When activated, the indication flashes “HOL”.

B) Emergency operation

- If during water heater warming the solar panel (stove) temperature exceeds $T_{p_{max}}$, the circulation pump will be switched on by force in order to provide the solar panel cooling. The previous mentions will be done despite of the water heater temperature can exceed W_b .

- If at the previous mentioned emergency case, the water heater temperature reaches its maximum allowed temperature level $T_{b_{max}}$, the circulation pump will be stopped despite of this state can causes overheating of the solar panel. In this way the temperature at the water heater as an overheating protection has a higher priority compare to the temperature of the solar panel (stove).

C) Water tank and solar panel protection

When the water tank temperature T_b is above the assigned one W_b and in the same time is grater than the solar panel temperature, in terms of preventing water tank overheating the circulation pump will be switched on. Its operation goes on until the water tank temperature T_b is being decreased to the assigned one W_b . In this case the water tank gives the excessive heat, as it cool itself through the solar panel. When a combine heating with electrical heating elements is being used, then the assignation of the of the electrical part is to be a little bit lower than W_b .

III. Front panel indications

On the front panel are located all elements for control and programming. These are three digital display, ten light indications and two buttons, “SELECT” and “PROGRAM”. The front panel vision is shown on Figure 1 bellow.

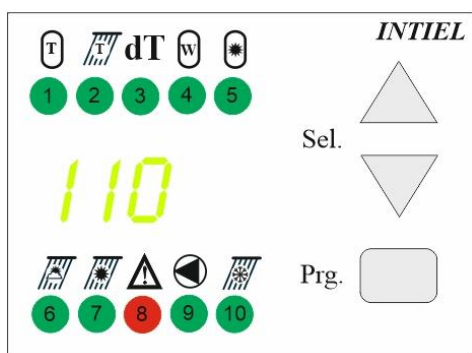


Fig.1

| Indications on the digital display | |
|------------------------------------|---|
| 1 | T_b – shows the water heater temperature |
| 2 | T_p – shows solar panel temperature |
| 3 | ΔT – shows the adjusted temperature difference between the solar panel and the water heater |
| 4 | W_b – shows the water heater temperature level which has to be kept |
| 5 | $T_{b_{max}}$ – shows the maximum allowed water heater temperature |
| 6 | $T_{p_{min}}$ – shows the fixed minimum temperature level of the solar panel |
| 7 | $T_{p_{max}}$ – shows the adjusted maximum temperature level of the solar panel |
| 8 | Alarm – shows emergency operation |
| 9 | Pump – shows the circulation pump operation |
| 10 | $T_{p_{defrost}}$ – shows the adjusted temperature level for solar panel defrosting |

IV. Programming

The Thermostat automatically goes into start mode, after connection to the power supply, showing the water heater temperature:

4.1. Inspection of water heater and solar panel temperatures.

When the Thermostat is not in program mode, by consecutively pressing of “SELECT” button the digital display indication is being switched over between the water heater temperature and the solar panel one, activating their relevant indications T_b or T_p .

4.2. Inspection of temperatures mentioned at points 2.1 – 2.6 (see II. Operation, page 2.)

After pressing “PROGRAM” button the digital display will automatically show the temperature mentioned at 2.1 - ΔT . Then, after pressing “SELECT” button five times more the temperatures 2.2 – 2.6 will be indicated. Next pressing of “SELECT” button will return you to position 4.1. (Inspection of water heater and solar panel temperatures). The temperature inspection does not change the current operation of the Thermostat.

4.3. Programming of temperatures 2.1 – 2.6.

The digital display will automatically show the temperature mentioned at 2.1 - ΔT , after pressing “PROGRAM” button. The temperature indication will start blinking 10 times, after second pressing of “PROGRAM” button. The adjustment of the same temperature can be done during the blinking time by repeatedly pressing of the “SELECT” button, within the possible adjusted range. If until the 10th blink “SELECT” button is not pressed or “PROGRAM” button is pressed, the last blinking value will be accepted as adjusted one concerning the relevant temperature. If you want to make some corrections concerning just adjusted temperature, you need to press “PROGRAM” button again, thus returning to above mentioned actions. You can go to next temperature programming by pressing “SELECT” button. The Thermostat will go into start mode after you finish with programming of all temperatures from 2.1 – 2.6 and the new adjusted values will become current. After the adjustment of temperature 2.6 you can return to 4.1 (Inspection of water heater and solar panel temperatures) by pressing “SELECT” button.

For quick change of selected value – hold the “SELECT” button.

V. Emergency alerts

5.1. Indication Alarm

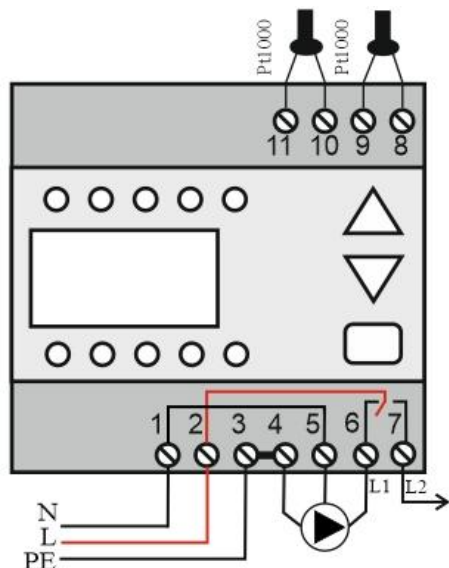
The light indication **Alarm** will be activated in the following cases:

- When the water heater temperature exceeds $T_{b_{max}}$.
- When the temperature of the solar panel is above $T_{p_{max}}$ or below $T_{p_{defros}}$, in case a defrost mode is allowed.

5.2. The solar panel and water heater temperatures are out of preliminary fixed ranges:

- When one of the temperatures is greater than $+120^{\circ}\text{C}$ on the digital display is being indicated “Hi”.
- When one of the temperatures is lower than -20°C on the digital display is being indicated “Lo”

VI. Wiring



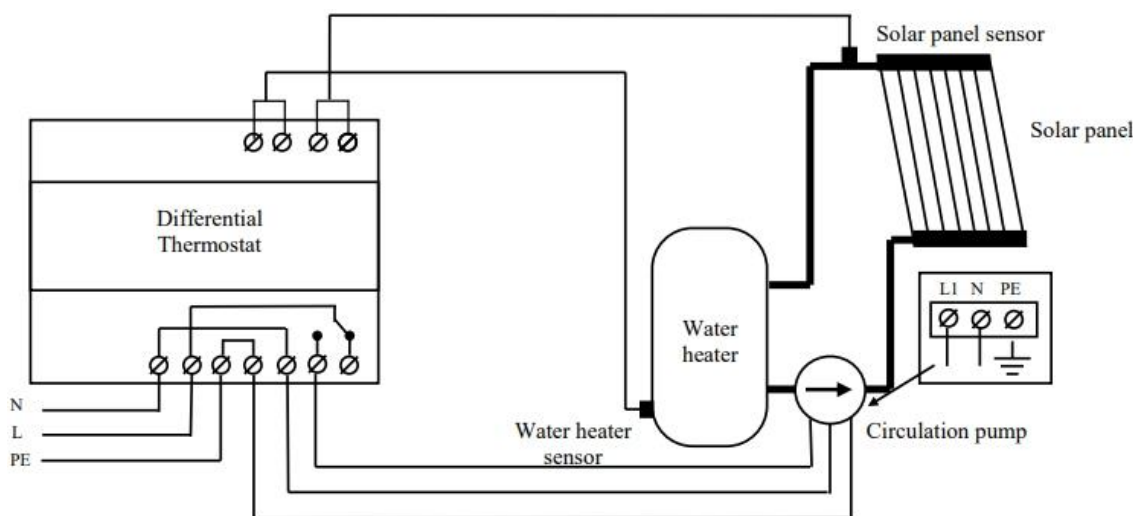
The wiring comprises the connection of temperature sensors, a power supply and the circulation pump according Figure 2. The sensors are Pt1000 – non polar. If necessary, the length of connection cables can be prolonged, considering the total resistance of both cables, concerning indication sensibility of $1^{\circ}\text{C}/4\Omega$. The recommended cable length which do not affect to measurement precision is up to 100m.

Terminals 8 and 9 are input for Pt1000 solar panel sensor.
 Terminals 10 and 11 are input for Pt1000 water tank sensor
 To terminals 1, 2 and 3 are to be connected respectively neutral, phase and earth from the power supply.
 The pump is to be connected to terminal 4, 5 and 6, which are respectively earth, neutral and phase.
 To terminal 7 (L2) occurs a phase when to terminal 6 (L1) does not, and conversely.

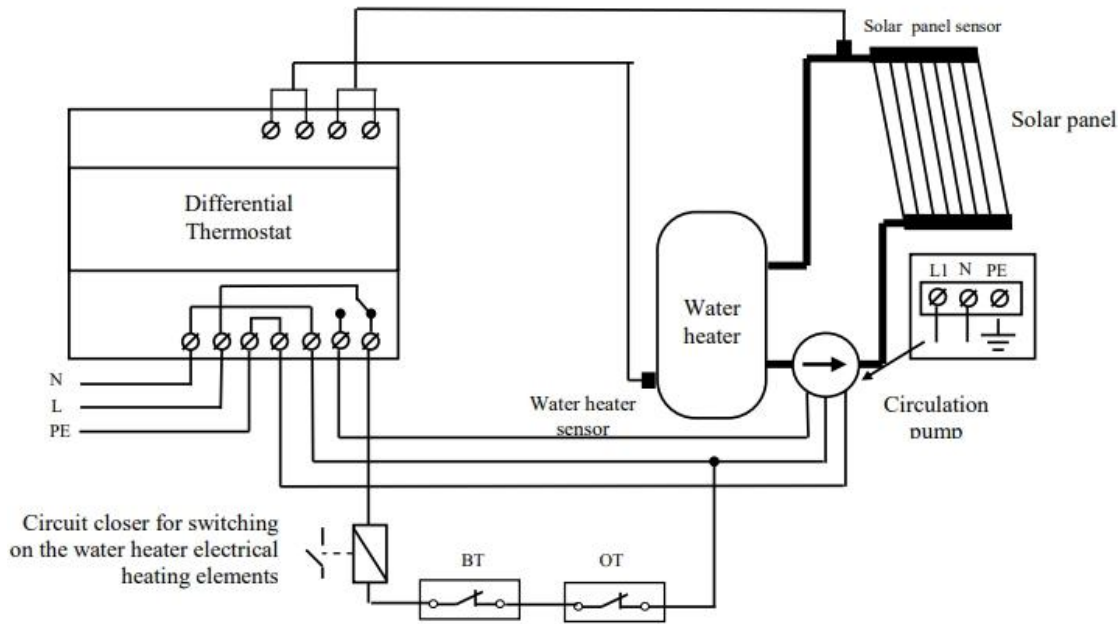
Caution!: In order to discharge the static electricity which could appear on the solar panels as well their metal supports a ground connection is to be provided. Otherwise, there is dangerous of damage concerning the sensors even of the controller.

VI. Hydraulic connections

A) Domestic hot water preparation only by solar panels

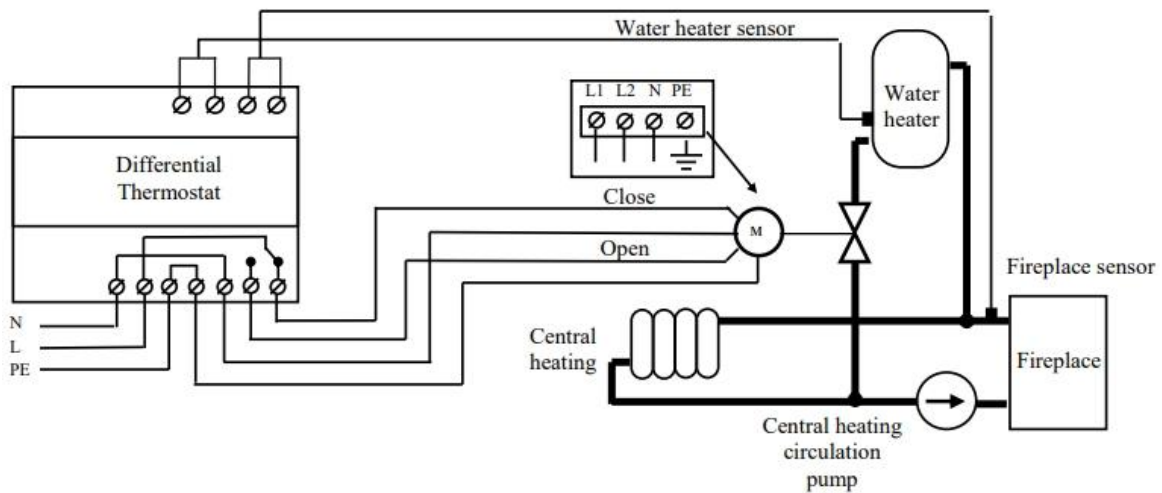


B) Domestic hot water preparation by means of solar panels and electrical heating elements of the water tank.

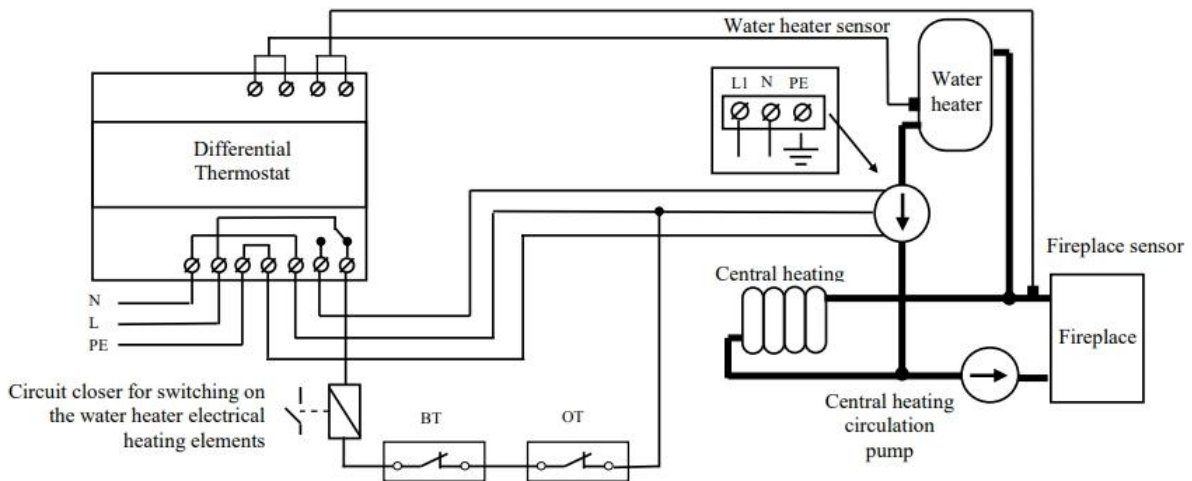


PT – water tank operation thermostat
 BT – water tank emergency (blocking) thermostat.

C) Domestic hot water preparation by a fireplace and a motor actuator “open – close” for the water heater.



D) Domestic hot water preparation by a fireplace and water heater electrical heating elements.



PT – water tank operation thermostat
 BT – water tank emergency (blocking) thermostat.

| Technical data | |
|---------------------------------|---|
| Supply voltage: | 230V / AC / 50-60Hz |
| Maximal rated current: | 7A / 250V / AC / 50-60Hz |
| Outputs: | 1 standard relay |
| Switch-on difference: | ΔT 2...20 ⁰ C adjustable |
| Sensors: | 2 temperature sensors Pt1000 (-50° до +200°C) |
| Sensor current: | 1 mA |
| Range of temperature measuring: | from -20 up to +120 ⁰ C |
| Digital display: | Three positional |
| Measurement precision: | 1°C |
| Humidity: | 0-80% |
| Protection: | IP20 |

VII. Warranty

The warranty period is 24 months following the purchase date of the unit or its installation by an authorized Engineering Company, but not exceeding 28 months after the production date. The warranty is extended to the malfunctions that occur during the warranty period and are result of the production reasons or defective used parts.

The warranty does not relate to malfunctions corresponding to not-qualified installation, activities directed to the product body interference, not regular storage or transport.

The repairs during the warranty period can be done after correct filling of the manufacturer warranty card

Warranty Card

Manufacturer: INTIEL

Programmable Differential Thermostat DT-3.1

Product type

Production number

Production date

Dealer confirmation

Purchase date

Invoice number

Dealer's name, address and stamp

Seller's name and signature