

Differential pressure switch

For monitoring overpressure, vacuum and differential pressure of air or other non-combustible, non-aggressive gases for both HVAC and energy management applications. Automatic reset and field adjustable setpoints and switching hysteresis.


Type Overview

Type	Measuring range diff. pressure	Repeating accuracy	Switching differential [pressure]	Burst pressure
01APS-10R	20...300 Pa	±5%, min. ±5 Pa	10 Pa	10 kPa
01APS-10U	50...500 Pa	±2.5%, min. ±5 Pa	20 Pa	10 kPa
01APS-101	200...1000 Pa	±1%, min. ±5 Pa	100 Pa	10 kPa
01APS-104	500...2500 Pa	±1%, min. ±5 Pa	150 Pa	10 kPa

Technical Data

Electrical data	Electrical connection	Terminals for wire 0.5...1.5 mm ²
	Cable entry	Cable gland with strain relief Ø5...10 mm
Functional data	Output signal switch note	Contact current max. 1.0 A (0.4) / AC 250 V
	Application	Air
Measuring data	Measuring values	Differential pressure
	Measuring fluid	Air, non-combustible and non-aggressive gases
Materials	Housing	Bottom Part: PA 6.6 Top Cover: PS
	Safety data	Ambient humidity
Ambient temperature		-20...85°C [-5...185°F]
Fluid temperature		-20...85°C [-5...185°F]
Storage temperature		-40...85°C [-40...185°F]
EU Conformity		CE Marking
Certification IEC/EN		IEC/EN 60730-1
Degree of protection IEC/EN		IP54
Degree of protection NEMA/UL	NEMA 13	
Quality Standard	ISO 9001	

Safety notes


This device has been designed for use in stationary heating, ventilation and air-conditioning systems and must not be used outside the specified field of application. Unauthorised modifications are prohibited. The product must not be used in relation with any equipment that in case of a failure may threaten humans, animals or assets.

Ensure all power is disconnected before installing. Do not connect to live/operating equipment.

Only authorised specialists may carry out installation. All applicable legal or institutional installation regulations must be complied during installation.

The device contains electrical and electronic components and must not be disposed of as household refuse. All locally valid regulations and requirements must be observed.

Installation notes
Recommended installation positions

The specifications for the switching pressure refer to a vertical installation position, which is also recommended with downward pressure connections. For horizontal mounting position with upwards directed AMP connecting lugs, the switching values are approx. 20 Pa higher.

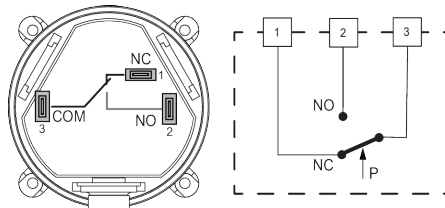
It is not permitted to mount the pressure switch upside down!

Scope of delivery

PVC tube 2 m
2 x Duct connectors (plastic)
Screws

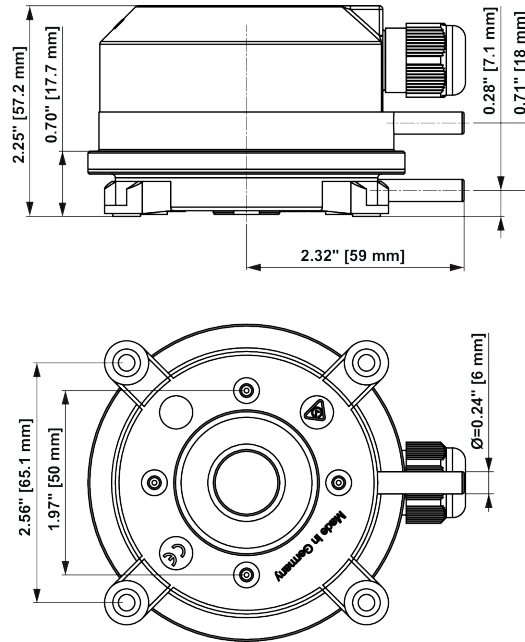
Accessories

Optional accessories	Description	Type
	Mounting bracket, Metal, L form for 01APS-..	A-22AP-A06
	Mounting bracket, Metal, S form for 01APS-..	A-22AP-A07
	Cable entry, M20x1.5, for 01APS-..., Multipack 10 pcs.	A-22AP-A11.1
	Duct connector kit for 01APS-..., Multipack 50 pcs.	A-22AP-A05.1
	Duct connector, Plastic, L 80 mm, Tube connection 6 mm L form for 01APS-..., Multipack 96 pcs.	A-22AP-A09.1

Wiring diagram


Dimensions

Dimensions



Type	Weight
01APS-10R	0.12 kg
01APS-10U	0.12 kg
01APS-101	0.12 kg
01APS-104	0.12 kg