

INTIEL

THE ELECTRONICS ON YOUR SIDE

PROGRAMMABLE CONTROLLER FOR SOLAR SYSTEMS DT 3.1

USER'S GUIDE



INTIEL LTD
10, str. Major Kolontaevski
8200 Pomorie
BULGARIA

e-mail: office.intiel@gmail.com
e-mail: info@intiel.com
www.intiel.com

PROGRAMMABLE CONTROLLER FOR SOLAR SYSTEMS

TECHNICAL DESCRIPTION



Safety instructions:

- Before installation, check the integrity of the unit and its connecting wires.
- In case of damaged can not be mounted to the removing of the fault.
- The installation and disassembly of the unit must be carried out by qualified personnel who have previously read the product manual.
- Mount in a dry and ventilated place away from heat sources and flammable gases or liquids.
- Make sure that the mains voltage matches the voltage on the rating plate of the unit.
- Use power consumers that match the power output of the appliance.
- In the event of malfunctioning, switch off the appliance immediately and seek authorized service for repair.
- In case of fire, use a fire extinguisher.
- For the purpose of environmental protection, do not throw away electrical appliances and their packaging marked with a symbol

crossed bin



Contents of the package:

- The controller
- Sensors type Pt 1000-2 pcs.
- User guide (warranty card)

1. Application

The solar controller is integrated into domestic hot water systems in boilers (water heaters), combined with solar panels (fireplaces) and electric heaters.

It is designed to monitor the differential temperature and to control the operation of a circulation pump mounted in the water circuit between the panels (fireplace, boiler) and the boiler coil. This regulates the heat exchange between them, helping to make the system more efficient.

2. How it works

The controller has two temperature sensors installed in the water heater and the solar panels. The operation of the controller is determined depending on the set parameters and the measured temperature. The following parameters are monitored during operation:

2.1 **delta T (ΔT)** – Set difference between panel and boiler temperatures (differential difference). It can be set between 2 and 20 °C. **Default setting is 10 °C;**

2.2 **T_{bset}** – Set temperature in the boiler to which it can normally be heated by solar panels (fireplace, boiler). It is set in the range from 10 to 80 °C. **Default setting is 60 °C;**

2.3 **T_{bmax}** – Critical, maximum allowable temperature in the boiler. It is set between 80 and 100 °C. **Default setting is 95 °C;**

2.4 **T_{pmin}** – Minimum temperature of solar panels. It is set in the range from 20 to 50 °C. **Default setting is 40 °C;**

2.5 **T_{pmax}** – Maximum permissible temperature of solar panels (fireplace). It is set between 80 and 110 °C. **Default setting 105 °C;**

2.6 **T_{pdef}** – Defrosting temperature of solar panels. It is set in the range -20 to 10 °C. Default setting without defrost - **OFF;**

2.7 **T_{bmin}** – Minimum temperature in the boiler below which the defrosting of the panel is stopped. Cannot be set. **Default setting is 20 °C;**

2.8 **t_{cool}** – Time to delay the boiler cooling function to the set T_{bset} temperature. The controller will wait for the time specified in this setting to expire and if the condition is met $T_p < T_b - 2$ °C, will turn the pump on until it reaches T_{bset}. **Default setting is 4 hours.**

If necessary, a correction can be made in the readings of the measured temperatures:

T_{bc} – Correction of the reading from the boiler temperature sensor;

T_{pc} – Correction of the reading from panel sensor;

The setting is in the range -10 to + 10 °C. The default is 0 °C.

Deviations in the readings of the temperature values can be the result of cables that are too long or from poorly positioned sensors.

The operation of the controller is determined depending on the set parameters and the measured temperature of the solar panel and the boiler as follows:

A) Normal operating modes

- If the differential temperature (Δt) of the solar panel (fireplace) and the boiler is greater than the set point $\Delta T + 2 \text{ }^\circ\text{C}$, the pump is switched on and the boiler is heated from the panels. In the process of heating the boiler, Δt decreases. Once the actual Δt is aligned with the set ΔT , at certain intervals, a *start* and *stop* signal from the relay output is sent to the pump. The work and pause intervals depend on the difference between ΔT and Δt . The smaller the difference, the longer the interval for pump operation and the smaller the pause. When Δt becomes equal to or less than zero, the pump stops. Adjustment is with a period of **600s (10 min)**.

The pump can stop immediately after equalizing Δt and ΔT if the parameter **PtC** is OFF (*Table 1*).


- The boiler is heated under the above conditions only until the temperature in the boiler is equal to the set **Tb_{set}**, after which the pump is switched off and the heating is stopped;

- If the temperature of the panels (fireplace, boiler) falls below **Tp_{min}**, the pump operation is prohibited, even though the conditions $\Delta t > \Delta T + 2 \text{ }^\circ\text{C}$ and **Tb < Tb_{set}** may be present;

- At the temperature of the panels below **Tp_{def}** and the anti-freeze function enabled, the pump is forced to start, even though it was switched off due to the temperature drop below **Tp_{min}**;

- If in the previous mode the temperature of the boiler becomes lower than **Tb_{min}**, the pump is switched off by stopping the defrosting of the panels;

B) "Vacation" mode. The mode is intended for cases when no hot water is consumed from the boiler for a long time. When activated, the set boiler temperature is set to $40 \text{ }^\circ\text{C}$. The pump is switched on when necessary to prevent the panel from overheating (**Tp_{max}**).

Activate/deactivate the mode - by pressing and holding "■" button for more than 3 seconds. After releasing the button, an icon  lights up on the display.

C) Emergency modes

- If during the boiler heating process the temperature of the panels (fireplace) exceeds **Tp_{max}**, the pump is forced to cool the panels. This is done even though the temperature in the boiler may exceed **Tb_{set}**;

- If in the above emergency mode the temperature in the boiler reaches the critical maximum value **Tb_{max}**, the pump is switched off even though this may cause the panels to overheat. Thus the temperature in the boiler is of higher priority;

- When the temperature of the boiler **Tb** is above the set **Tb_{set}** and when the temperature of the solar panels **Tp** falls below the temperature of the boiler, the pump is switched on until the temperature **Tb** drops to the set **Tb_{set}**.

This cooling can be delayed from 0 to 5 hours. Sets using the parameter t_{cool} (t_{cc}). Default setting is 4 hours.

3. Front panel

The front panel contains the monitoring and control elements. custom LED display with numbers and symbols and buttons. The appearance of the front panel is shown in **Figure 1**.

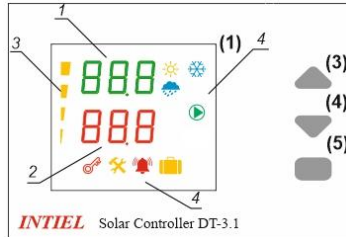








Fig.1


LED display (1). Provides visual information about the current values of the measured values and the status of the system, through symbols (**icons**), as well as the ability to set the controller through a user menu.


- 1 – An indicator of the temperature of the solar panels, as well as a part of the menu showing the parameter to be adjusted;
- 2 – Boiler temperature indicator, as well as part of the menu showing the value of the parameter to be set;
- 3 – Real differential difference (Δt) represented graphically:



4 – Icons giving additional information about the status of the system:

-  The temperature of the solar panels is over $T_{p_{max}}$;
-  Indication of negative temperature of the solar panel;
-  Solar panel defrost activated;
-  The circulation pump is on;
-  "Vacation" mode is on;
-  The water temperature in the boiler is higher than $T_{b_{max}}$ or lower than $T_{b_{min}}$;

 "Settings" menu;

 The button to access the "Settings" menu is disabled.


Button functions:

"▲" – (3) scroll forward in the menu, increase value;

"▼" – (4) scroll back in the menu, decrease value;

"■" – (5) access menu, select, save changes.

4. Settings

After the power is turned on, the thermostat starts in the initial state, in which it displays the temperature of the water heater and solar panels. To access the settings menu, press the button "■". Icon  lights up on the display.

Use buttons "▲" и "▼" to select a parameter. To change its value, press a button "■". The value will start flashing, you can change it using buttons "▲" and "▼".


To confirm and record in the memory, press the button "■".

All parameters, the range in which they can be changed as well as their default values are described in Table 1.

To exit from the menu select "End SET" and press the button "■".


If no button is pressed for 15 seconds, the controller automatically exits from the menu. If this happens while changing a value (the value is flashing), then the change will not be stored in memory.

Lock menu access


The menu can be locked to prevent unintentional changes to settings. This is done by simultaneously pressing and holding for 2 seconds the buttons "▲" и "▼". After releasing the buttons, an icon  indicating activated protection lights up on the display.


To unlock the menu, the buttons "▲" and "▼" must be pressed and held again for 2 seconds.

5. Emergency alarm conditions

5.1 – Icon  lights up in the following cases:

- when the water temperature in the boiler exceeds T_{bmax} ;
- when the water temperature in the boiler drops below T_{bmin} .

5.2 – Icon  lights up when solar panels temperature above T_{pmax} .

5.3 – Icon  lights up when temperature of the solar panels is negative.

5.4 – When measured temperature of the boiler or solar panels is outside the defined range from -30° to $+130^{\circ}$ °C.

- when any of the temperatures are higher than $+130^{\circ}$ °C appears "tHi" on the display;

- when any of the temperatures are lower than -30° °C appears "tLo" on the display.

6. Electrical connection

Electrical connection includes sensor connection, mains supply and controlled pump according to **Figure 2**. The sensors are Pt1000 type – non-polar.

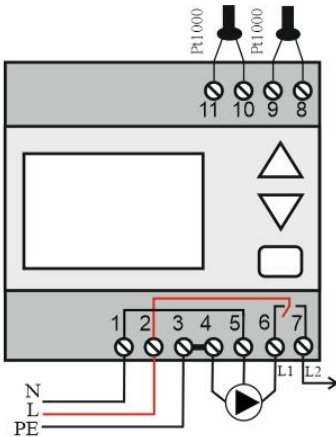


Fig.2

The pump is connected to terminals 4, 5 and 6, on which protective earth, neutral and phase come out, respectively. A phase (L2) is output on terminal 7, while it is not output on terminal 6 (L1).

Attention: In order to remove the static electricity that accumulates in the solar panels, it is mandatory that they as well as their metal structure to be grounded. Otherwise, there is a risk of damaging the sensors as well as the controller.

If necessary, the connecting cables of the sensors can be extended, taking into account the total resistance of the two wires - sensitivity of the indication $1^{\circ}\text{C}/4\Omega$. A recommended length that does not affect the measurement is up to **100m**.

Terminals 8, 9 are input for the sensor from the solar panels.

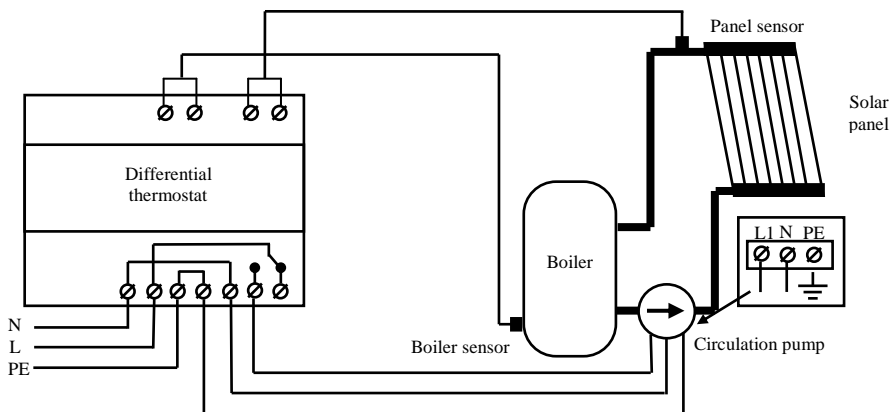
Terminals 10, 11 are input for the sensor from the boiler.

A Pt1000 sensor is connected to them.

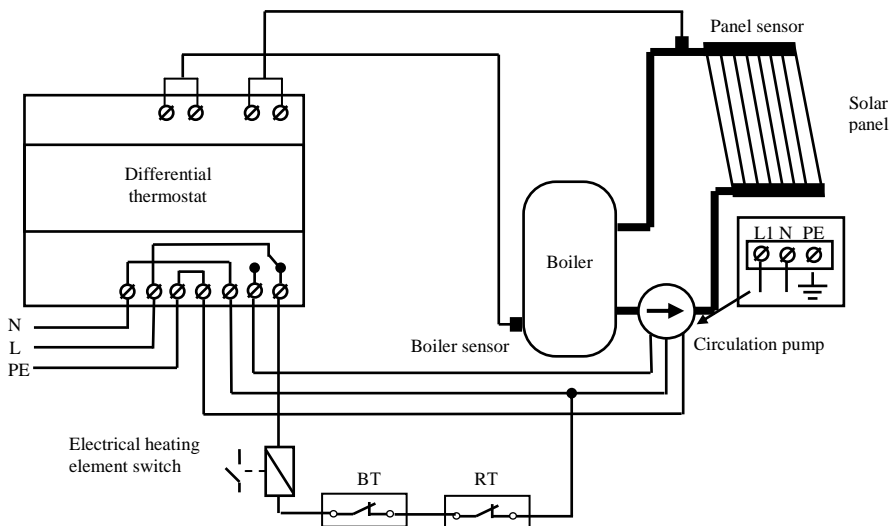
Terminals 1, 2 and 3 are supplied with neutral, phase and protective earth respectively from the mains.

7. Exemplary hydraulic connection diagrams

A) Heating the boiler only from solar panels



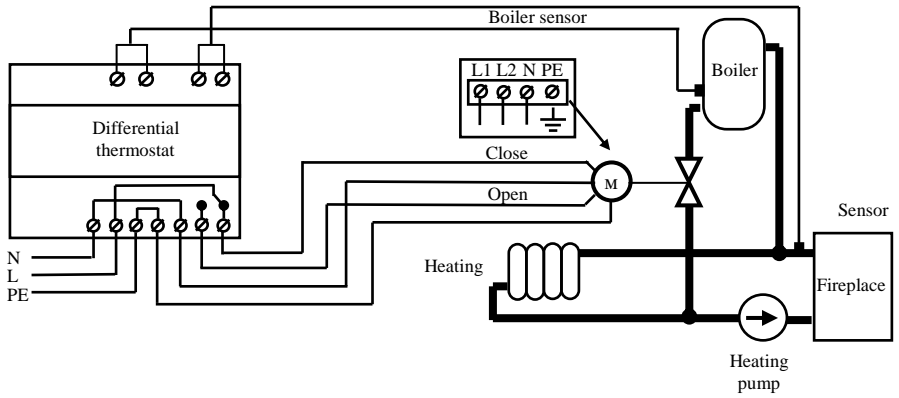
B) Heating the boiler from solar panels and electric heaters



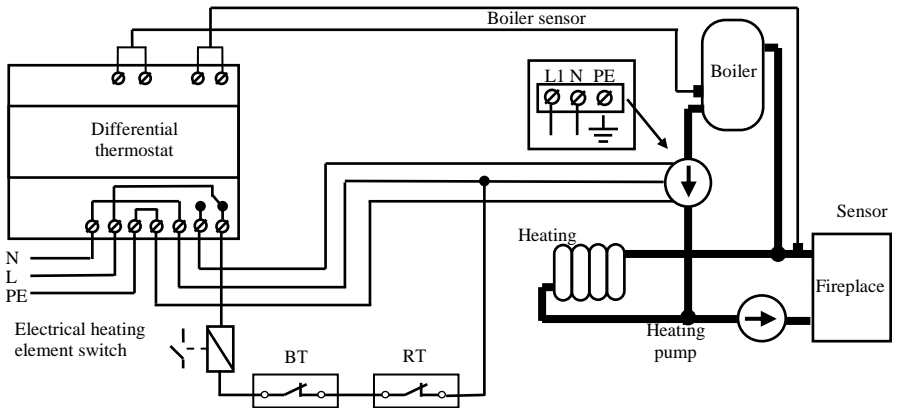
RT - working thermostat of the boiler

BT - blocking thermostat of the boiler

C) Heating of the boiler only from a fireplace and an "open - closed" magnet valve.



D) Heating of the boiler from fireplace and electric heaters.



RT - working thermostat of the boiler
 BT - blocking thermostat of the boiler

Table 1

PARAMETER				
<i>Indication</i>	<i>Description</i>	<i>Range</i>	<i>Default settings</i>	<i>User settings</i>
dt	Set temperature difference between the solar panels and the boiler - ΔT	$2 \div 20 \text{ }^{\circ}\text{C}$	$10 \text{ }^{\circ}\text{C}$	
tbS	Set temperature in the boiler to which it can normally be heated by the solar panels. Tb_{set}	$10 \div 80 \text{ }^{\circ}\text{C}$	$60 \text{ }^{\circ}\text{C}$	
	Minimum temperature in the boiler below which the defrosting of the panels stops. Tb_{min}	not set	$20 \text{ }^{\circ}\text{C}$	
tbH	Maximum allowable temperature in the boiler. Tb_{max}	$80 \div 100 \text{ }^{\circ}\text{C}$	$95 \text{ }^{\circ}\text{C}$	
tPL	Minimum temperature of solar panels. Tp_{min}	$20 \div 50 \text{ }^{\circ}\text{C}$	$40 \text{ }^{\circ}\text{C}$	
tPH	Maximum allowable temperature of solar panels. Tp_{max}	$80 \div 110 \text{ }^{\circ}\text{C}$	$105 \text{ }^{\circ}\text{C}$	
tPd	Temperature at which solar panels are allowed to defrost. Tp_{def}	$-20 \div 10 \text{ }^{\circ}\text{C}$	OFF	
ttc	Cooling delay time to set temperature.	$0 \div 5 \text{ h.}$	4 h.	
PtC	Time control of the pump after equalization of Δt and ΔT		ON	
<i>Tb correct</i>	Correction of the indication temperature <i>Tb</i>	$-10 \div 10 \text{ }^{\circ}\text{C}$	$0 \text{ }^{\circ}\text{C}$	
<i>Tp correct</i>	Correction of the indication temperature <i>Tp</i>	$-10 \div 10 \text{ }^{\circ}\text{C}$	$0 \text{ }^{\circ}\text{C}$	

8. Technical data

Power supply	<i>~230V/50-60Hz</i>
Switching current	<i>7A/~250V/ 50-60Hz</i>
Number of output contacts	<i>one relay</i>
Differential temperature	<i>2° – 20 °C</i>
Sensor type	<i>Pt1000 (-50° to +250 °C)</i>
Current through the sensor	<i>1mA</i>
Measuring range	<i>-30° to +130 °C</i>
Display type	<i>custom LED indication</i>
Unit of measurement	<i>1 °C</i>
Environmental temperature	<i>5° - 35 °C</i>
Environmental Humidity	<i>0 - 80%</i>
Degree of protection	<i>IP 20</i>

9. Warranty

The warranty period is 24 months following the purchase date of the unit or its installation by an authorized Engineering Company, but not exceeding 28 months after the production date. The warranty is extended to the malfunctions that occur during the warranty period and are result of the production reasons or defective used parts.

The warranty does not relate to malfunctions corresponding to not-qualified installation, activities directed to the product body interference, not regular storage or transport.

The repairs during the warranty period can be done after correct filling of the manufacturer warranty card