

INTIEL

THE ELECTRONICS ON YOUR SIDE

**CONTROL BOX
OF COLLECTOR BOXES FOR HEATING SYSTEMS
MODUL 1 and MODUL 2**

User's Manual



INTIEL LTD
10, str. Major Kolontaevski
8200 Pomorie
BULGARIA

e-mail: office.intiel@gmail.com
e-mail: info@intiel.com
www.intiel.com

 **Safety instructions:**

- Before installation, check the integrity of the unit and its connecting wires.
- In case of damaged can not be mounted to the removing of the fault.
- The installation and disassembly of the unit must be carried out by qualified personnel who have previously read the product manual.
- Mount in a dry and ventilated place away from heat sources and flammable gases or liquids.
- Make sure that the mains voltage matches the voltage on the rating plate of the unit.
- Use power consumers that match the power output of the appliance.
- In the event of malfunctioning, switch off the appliance immediately and seek authorized service for repair.
- In case of fire, use a fire extinguisher.
- For the purpose of environmental protection, do not throw away electrical appliances and their packaging marked with a symbol

crossed bin



Contents of the package:

- **The Control Box**
- **User guide (warranty card)**

I. Application

The distribution bus is intended for use in collector boxes for controlling heating systems, by facilitating the connection of electric actuators and similar control devices such as room thermostats of different types, controllers, etc.

It is particularly suitable for controlling underfloor heating circuits.

II. Way of working

It is possible to control up to 9 heating circuits to the distribution bus, and two valve actuators can be connected to each circuit.

Also, the distribution bus has the possibility to control the circulation pump as well as the heating boiler.

The separate circuits are controlled by switching on the input devices /room regulators, etc./, when a contact of a room thermostat is closed, voltage 230V/AC is supplied to the corresponding actuator, which opens the valve of the corresponding heating circuit.

In the absence of a signal from all inputs, i.e. all thermostats are turned off, the circulation pump is turned off and a signal is given to stop the boiler from Module 1.

In the case of a switch-on signal, even on only one input, the circulation pump is switched on after 3 minutes and at the same time a signal is given to switch on the boiler.

Module 1 has an input from an independent contact from an external thermostat to protect the floor circuit, when the contact is opened the circulation pump is immediately switched off. **If it is not used, a bridge should be made at this entrance.**

The distribution bus consists of two Modules, Module 1 and Module 2, **each module can work independently or together.**

Module 1 has 3 inputs and 3 outputs for controlling 3 heating circuits, there are outputs for controlling the circulation pump and the boiler, as well as a supply voltage output for powering Module 2.

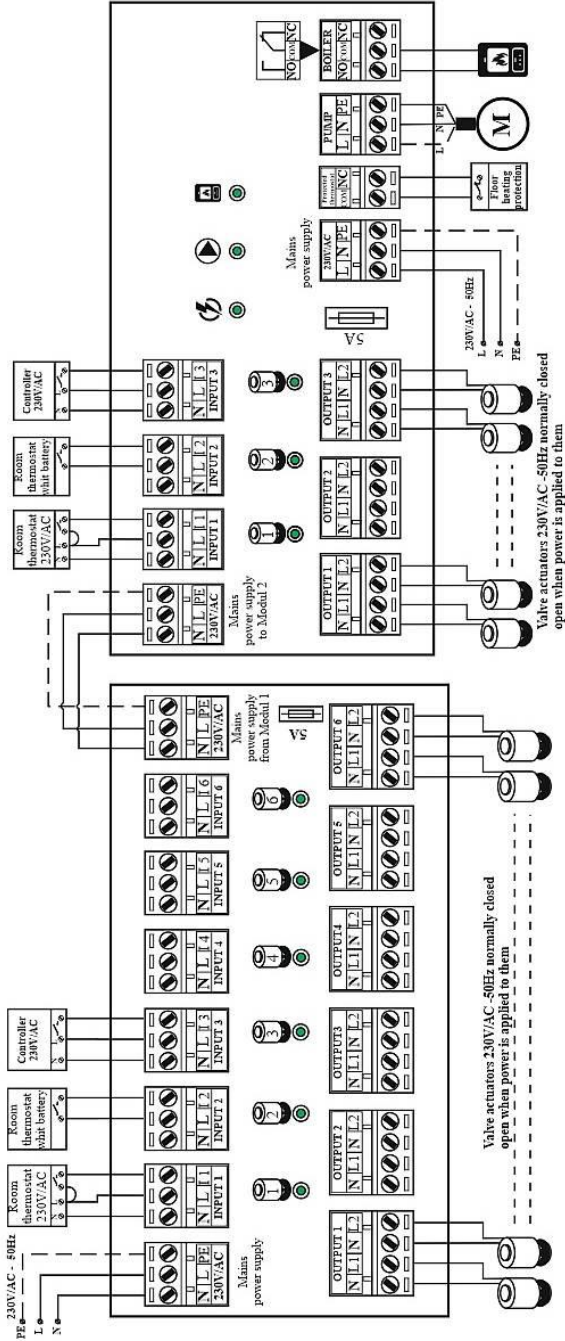
Module 2 has the ability to control up to 6 heating circuits, it can also work independently without Module 1.

III. Technical Specifications:

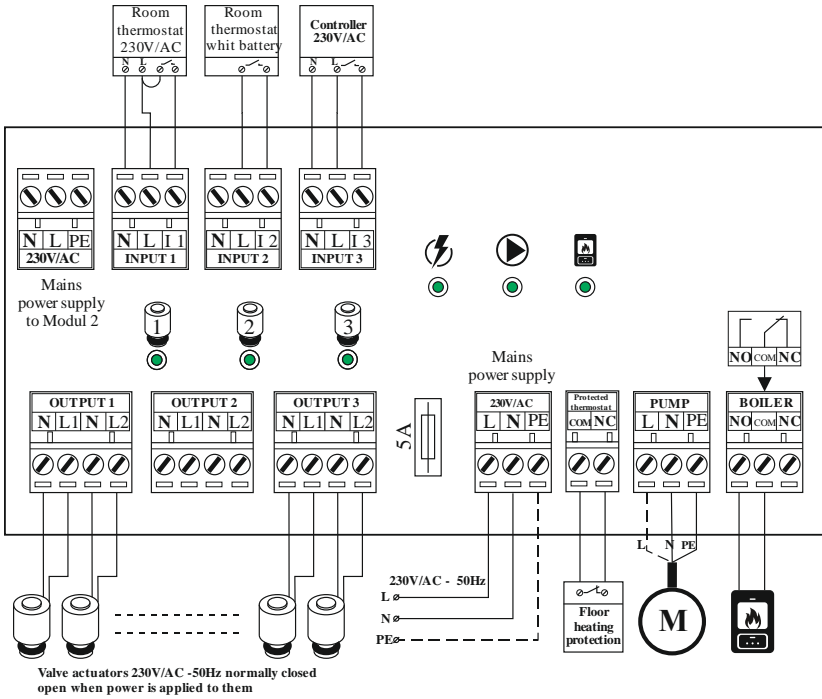
- | | |
|--|---------------|
| 1. Supply voltage | 230V/50Hz |
| 2. Inputs for control devices | 9 |
| 3. Outputs for use of actuators for valves | 9 /230V/50Hz/ |
| 4. Outlet for circulation pump | 230V/50Hz |
| 5. Boiler control output independent contact | NO/NC |
| 6. Availability of outputs status indications. | |
| 7. Ambient temperature | 5 to 40C |
| 8. Relative humidity of environment | up to 80% |
| 9. Degree of protection | IP-20 |

IV. Electrical connections

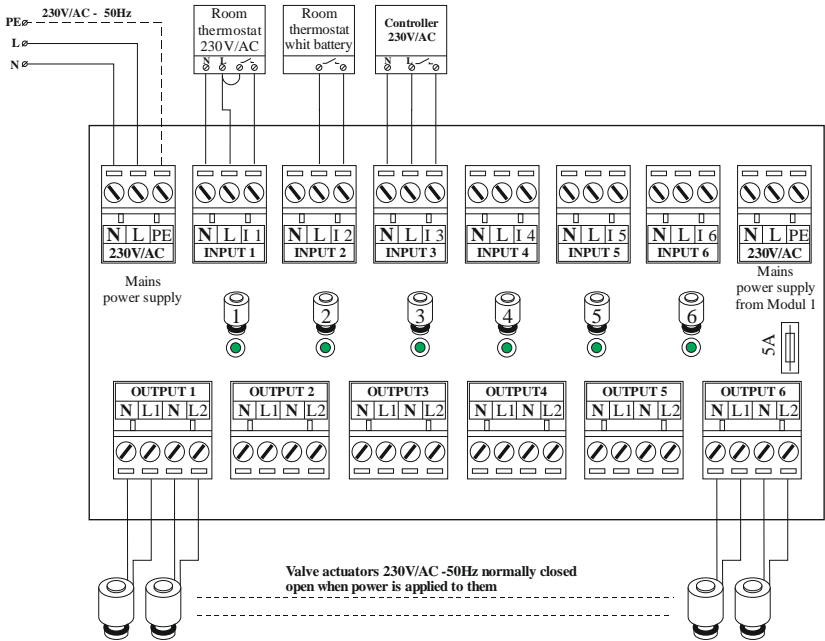
1. Modul 1 and Modul 2



2. Modul 1



3. Mpdul 2 / Operation without Module 1/



V. Warranty conditions

The warranty period is 24 months following the purchase date of the unit or its installation by an authorized Engineering Company, but not exceeding 28 months after the production date. The warranty is extended to the malfunctions that occur during the warranty period and are result of the production reasons or defective used parts.

The warranty does not relate to malfunctions corresponding to not-qualified installation, activities directed to the product body interference, not regular storage or transport. The repairs during the warranty period can be done after correct filling of the manufacturer warranty card